



- Heavy duty aluminum-titanium composite light body
- 360°×180° swivel, no space constraint, free operation.
- Constantly repeatable accuracy  $\pm 3\%$
- 360° adjustable reaction arm with safety lock feature
- Anti-backlash mechanism for overcoming the back turn of the wrench
- Lock-up-release lever that allows you to release the tool if it locks on the application.
- Several inserts applicable for a flexible use.
- The new locking coupler ensures the oil keep free access.
- Suitable for continuous operation at maximum pressure.

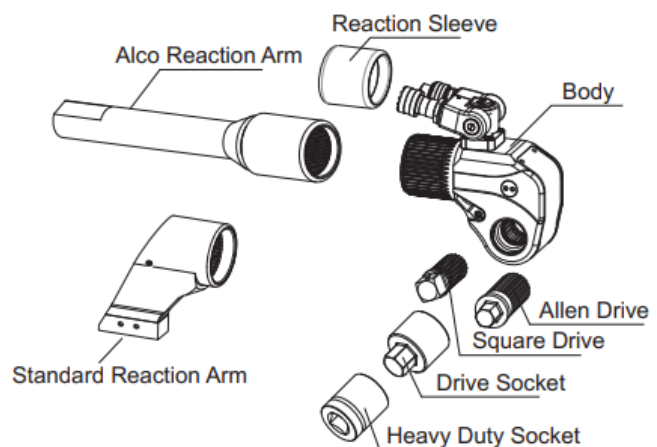
High-speed system    High-performance housing    Click & Change    Push-button lock    Light, Compact & Durable

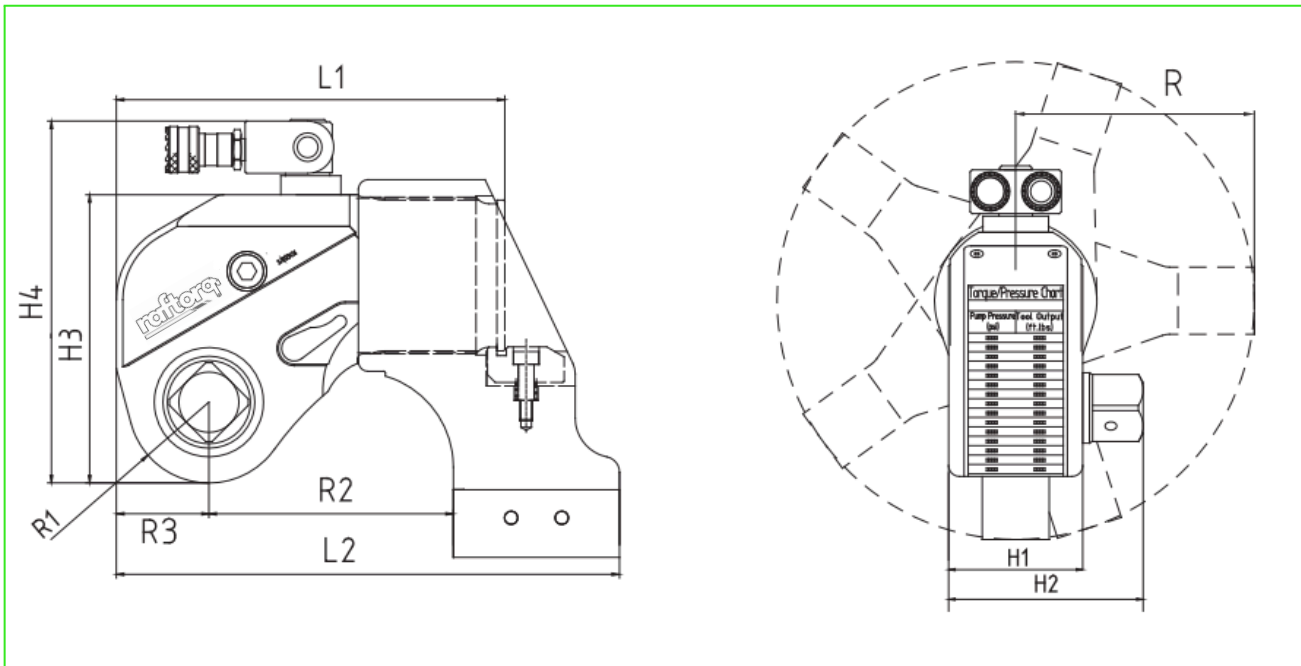
## RFS<sup>®</sup> Square Drive Hydraulic Torque Wrench

**RFS series** is the Industrial leader in hydraulic torque wrench for tough operations. The aluminum-titanium alloy makes the wrench light and highly intense. RFS series ranges from 112N.m to 72000N.m; covers the most bolts size, and is the most comprehensive available in the market. RAFTORQ provides after-sales service all over the world.

### Optional Accessories

For the special Reaction Arm, Consult to RAFTORQ





L1,L2 - LENGTH H1,H2- WIDTH H3,H4- HEIGHT R- RADIUS

MODEL	L1	L2	H1	H2	H3	H4	R	R1	R2	R3	SQUARE DRIVE	WEIGHT	TORQUE	
IMPERIAL	Inch											Lbs.	Ft-lbs (Min)	Ft-lbs (Max)
RFS .7	4.4	5.5	1.7	2.6	3	4.3	3	0.8	2.7	1	3/4"	4	83	830
RFS 1	5.7	6.9	2	2.8	3.8	5.2	3.6	1	3.4	1.1	3/4"	5.5	132	1324
RFS 3	7	9	2.7	3.7	5	6.9	4.9	1.3	4.5	1.6	1"	11	333	3330
RFS 5	8.3	10.6	3.1	4.8	5.9	7.8	5.5	1.5	5.4	1.8	1-1/2"	17.6	555	5552
RFS 10	9.7	12.6	3.9	5.6	7.2	9.1	7	2	6.1	2.3	1-1/2"	33.1	1144	11442
RFS 20	12.1	15.1	4.7	7.2	8.7	10.6	8.4	2.3	7.3	2.8	2-1/2"	58.4	1966	19664
RFS 25	12.7	15.8	5.4	7.9	9.7	11.7	9	2.6	7.9	2.8	2-1/2"	77.2	2560	25608
RFS 35	14.7	19.5	6	8.5	11.1	13.1	9.6	3	9.5	3.5	2-1/2"	110.2	3588	35889
RFS 50	15.7	20.3	6.3	8.8	11.4	13.4	10.2	3.2	10.2	3.8	2-1/2"	191.8	5310	53100
METRIC	mm											Kg	Nm (Min)	Nm (Max)
RFS .7	110.8	139.3	42	65.8	76.2	108.1	75	20.5	68.8	25	3/4"	1.8	112	1120
RFS 1	144	174	50	72	95.5	131	91.5	26	85.5	29	3/4"	2.5	179	1795
RFS 3	178	229	68	95	127	176.5	123.5	34	114	40	1"	5	451	4512
RFS 5	210.5	270.5	80	123	149	199	140	39	138	46.5	1-1/2"	8	752	7528
RFS 10	245.5	318.8	100	142	182	232	178	51	155.3	58.5	1-1/2"	15	1551	15516
RFS 20	307.5	384.3	120	183	220	270	213	59	186	71	2-1/2"	26.5	2666	26664
RFS 25	323	402	137	200	247	297	228	66	199.8	72	2-1/2"	35	3472	34725
RFS 35	372.5	496.5	153	216	282	332	243.5	77	241.4	89.5	2-1/2"	50	4866	48666
RFS 50	400	516	160	223	291	341	258	81	258.5	97.5	2-1/2"	87	7200	72000

**“Tight your Trust”**



**KSA Sales & Service Center**

+966 133420009 | PO Box 30036 | Al Jubail 31951

sales@raftorq.com | www.raftorq.com | Kingdom of Saudi Arabia